

**Sialon is an engineered ceramics**



**1. Reduce Cold Flakes** ("Cold Flakes" : solidified aluminum defect pieces (scattered structure) formed in shot sleeve )

Superior heat-retention. ***"It is possible to stop the use of heating equipment "***

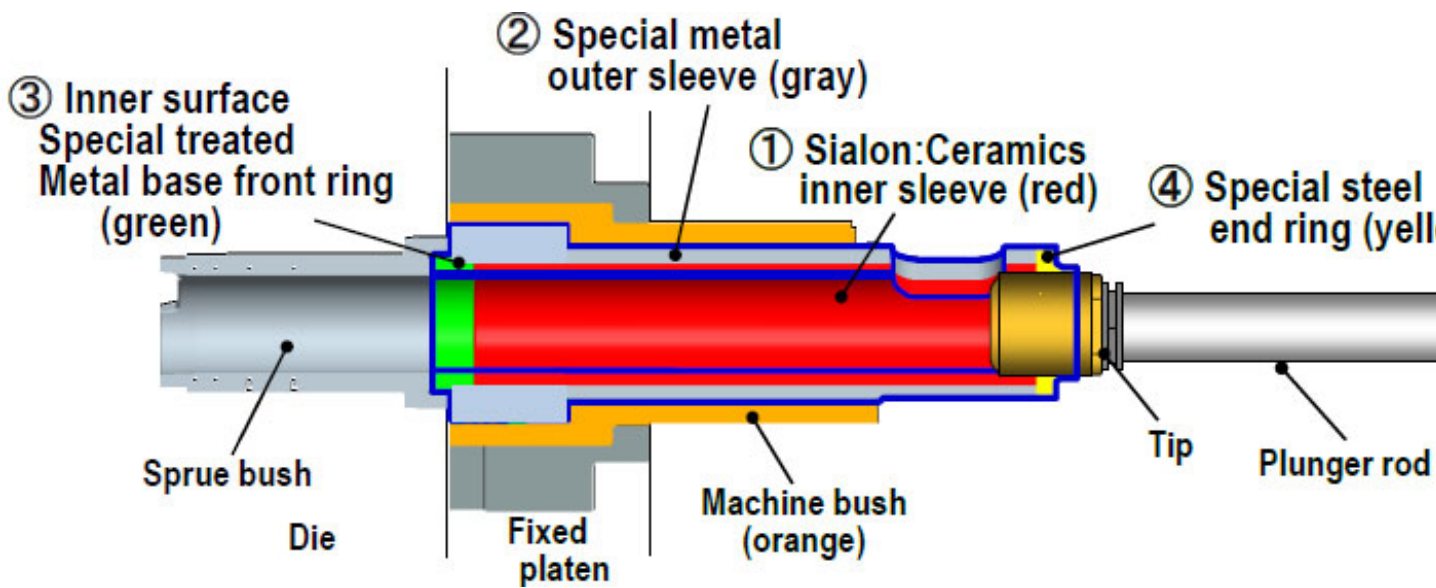
**2. Stable shots and longer life** (Especially at High temperature 700 or 1290°F)

Less deformation, High corrosion resistance, Erosion resistance and Wear resistance. "It is possible to eliminate the use of water cooling channel "

### 3. Energy saving

Sialon's superior heat-retention enables lower molten aluminum casting temperature

Structure :The duplex structure achieves high-performance casting.



Key properties comparison to steel

	<b>Sialon</b>	<b>Steel</b>
<b>Density (g/cm<sup>3</sup>)</b>	<b>3.2</b>	<b>7.8</b>
<b>Young's Modulus (GPa)</b>	<b>290</b>	<b>210</b>
<b>CTE 20-800°C (10<sup>-6</sup>/K)</b>	<b>3</b>	<b>11</b>
<b>Thermal Conductivity (W/m•K)</b>	<b>17</b>	<b>30</b>

The data in our report do not constitute any kind of warranty or guarantee

[Read more](#)

Also, [click here](#) to see Sialon thermocouple protective tubes